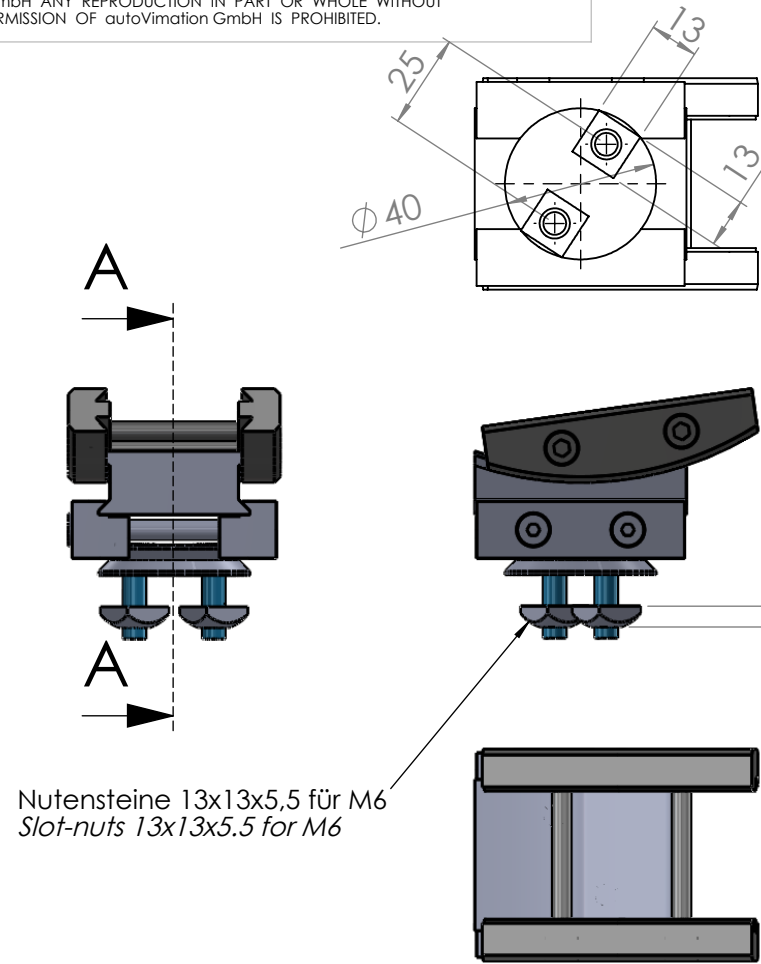


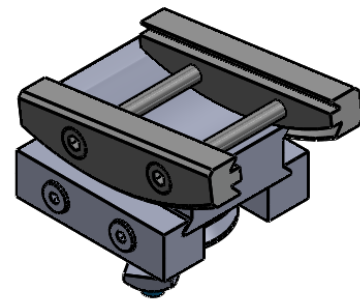
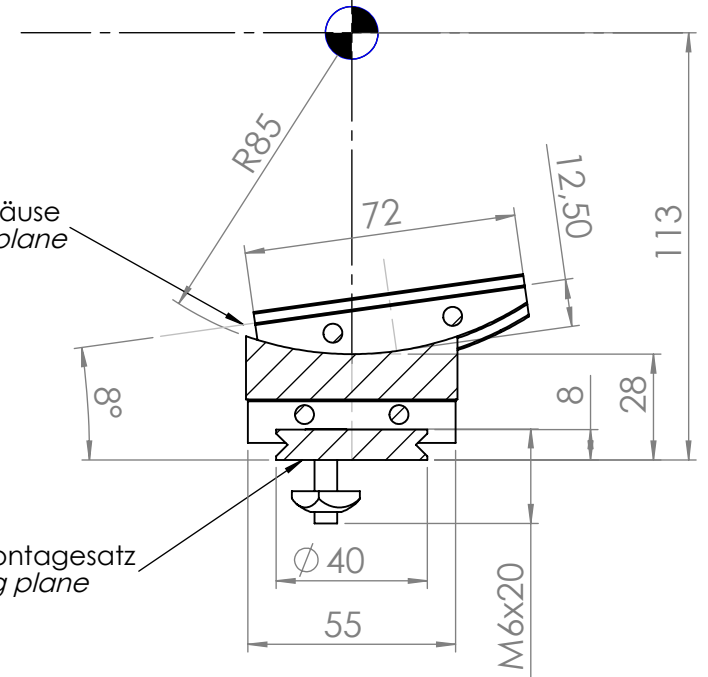
THE INFORMATION CONTAINED IN THIS DRAWING IS THE SOLE PROPERTY OF autoVimation GmbH. ANY REPRODUCTION IN PART OR WHOLE WITHOUT THE WRITTEN PERMISSION OF autoVimation GmbH IS PROHIBITED.



Nutensteine 13x13x5,5 für M6
Slot-nuts 13x13x5.5 for M6

Montageebene Gehäuse
enclosure mounting plane

Montageebene Montagesatz
mounting mounting plane



ITEM NO.	PART OR IDENTIFYING NO.	NOMENCLATURE OR DESCRIPTION	MATERIAL SPECIFICATION	QTY REQD
PARTS LIST				
UNLESS OTHERWISE SPECIFIED DIMENSIONS ARE IN MM TOLERANCES ARE:		CAD GENERATED DRAWING, DO NOT MANUALLY UPDATE		autoVimation GmbH
FRACTIONS .XX+ .XX + 1		APPROVALS	DATE	
		DRAWN Neuhaus	31.12.2013	Montagesatz 9 mounting kit 9
		CHECKED		
		RESP ENG		
		MFG ENG		SIZE A Article NO. 5.090.000
		QUAL ENG		SCALE CAD FILE: SHEET OF
NEXT ASSY	USED ON	REV.		
APPLICATION		DO NOT SCALE DRAWING		