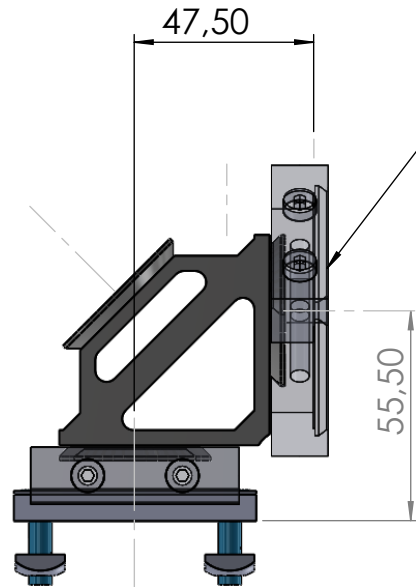
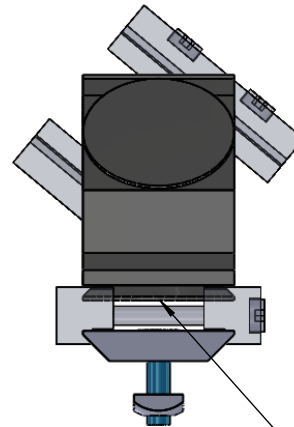


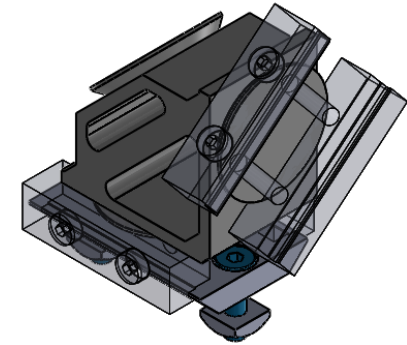
THE INFORMATION CONTAINED IN THIS DRAWING IS THE SOLE PROPERTY OF autoVimation GmbH. ANY REPRODUCTION IN PART OR WHOLE WITHOUT THE WRITTEN PERMISSION OF autoVimation GmbH IS PROHIBITED.



360 ° tilt adjustment
(space permitting)



360 ° rotation



Mounting kit 15 allows 360° rotation and 360° tilt (only limited by possible collision of the enclosure and the mounting surface). The rotational axis would be $47.50 + 33\text{mm} = 80.5\text{mm}$ to the side of the optical axis with Salamander / Gecko enclosures. This distance is $48+47.5=95.5$ with the Orca enclosure.

It is also possible to attach the second rotational bracket to the 45° rotational flange.

ITEM NO.	PART OR IDENTIFYING NO.	NOMENCLATURE OR DESCRIPTION	MATERIAL SPECIFICATION	QTY REQD
PARTS LIST				
UNLESS OTHERWISE SPECIFIED DIMENSIONS ARE IN MM		CAD GENERATED DRAWING, DO NOT MANUALLY UPDATE		autoVimation GmbH
TOLERANCES ARE:		APPROVALS DATE		
FRACTIONS .XX+ .XX + 1		DRAWN Neuhaus 10.02.15		<h1>Mounting Kit 15</h1>
DECIMALS .XXX+.XXX		CHECKED		
MATERIAL		RESP ENG		
FINISH --		MFG ENG		
NEXT ASSY	USED ON	QUAL ENG		SIZE A Article NO. 5.150.000 REV.
APPLICATION		DO NOT SCALE DRAWING		SCALE CAD FILE: SHEET OF