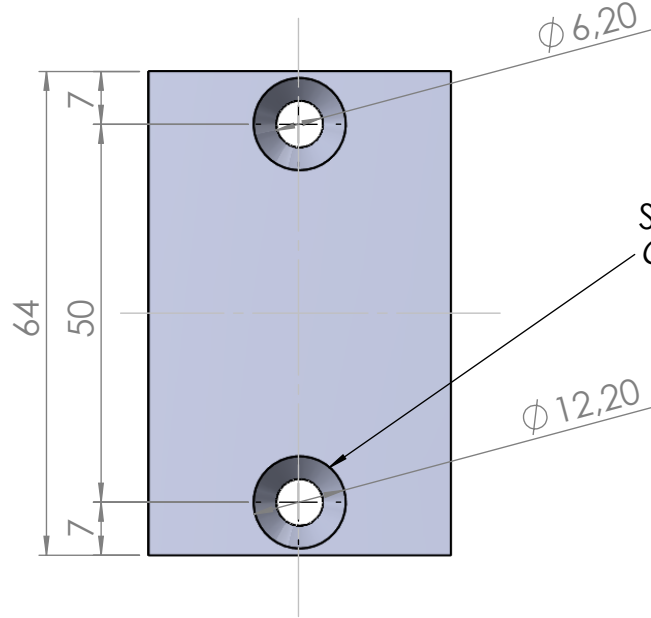
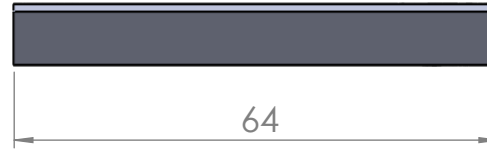
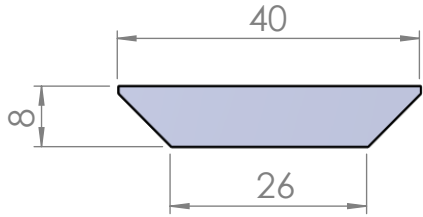
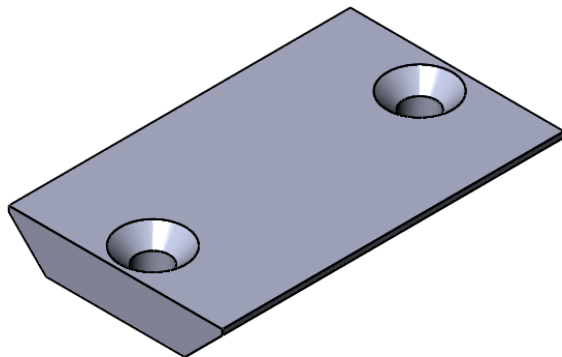


THE INFORMATION CONTAINED IN THIS DRAWING IS THE SOLE PROPERTY OF autoVimation GmbH. ANY REPRODUCTION IN PART OR WHOLE WITHOUT THE WRITTEN PERMISSION OF autoVimation GmbH IS PROHIBITED.



Senkungen für M6 Senkschraube Din 7991  
*Countersing for M6 csk screw M6 Din 7991*

Diese Adapterplatte ist Teil von Mounting Kit 1  
*This adapter plate is part of mounting kit 1*  
 Art. No.: 5.010.000



ITEM NO.	PART OR IDENTIFYING NO.	NOMENCLATURE OR DESCRIPTION	MATERIAL SPECIFICATION	QTY REQD
PARTS LIST				
UNLESS OTHERWISE SPECIFIED DIMENSIONS ARE IN MM		CAD GENERATED DRAWING, DO NOT MANUALLY UPDATE		autoVimation GmbH
TOLERANCES ARE:		APPROVALS DATE		
FRACTIONS .XX+ .XX + 1		DRAWN Neuhaus 31.12.2013		Adapterplatte 64mm 2 Loch für Senkschraube M6 Parallel adapter plate 64mm with for 2 csk screws M6
ANGLES .XXX+.XXX		CHECKED		
MATERIAL		RESP ENG		
FINISH --		MFG ENG		SIZE A Article NO. 6.041.141 REV.
APPLICATION		DO NOT SCALE DRAWING		SCALE CAD FILE: SHEET OF