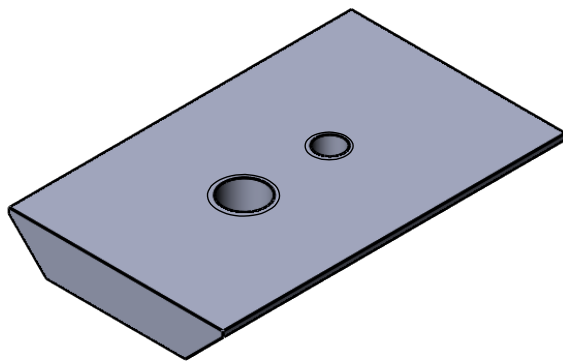
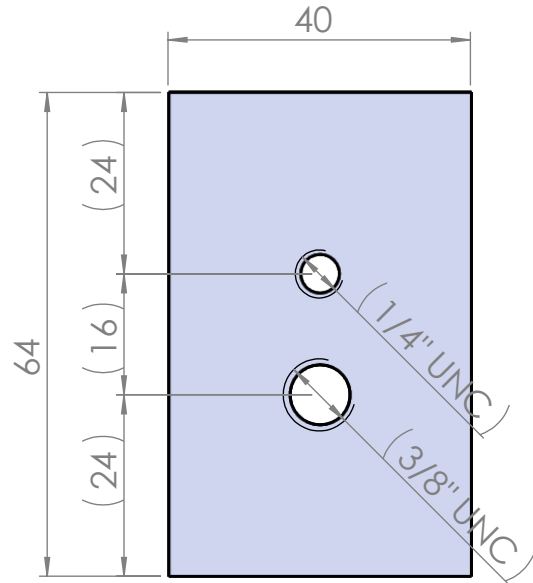
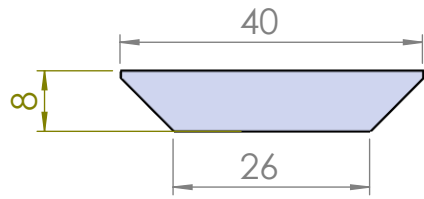


THE INFORMATION CONTAINED IN THIS DRAWING IS THE SOLE PROPERTY OF autoVimation GmbH. ANY REPRODUCTION IN PART OR WHOLE WITHOUT THE WRITTEN PERMISSION OF autoVimation GmbH IS PROHIBITED.



ITEM NO.	PART OR IDENTIFYING NO.	NOMENCLATURE OR DESCRIPTION	MATERIAL SPECIFICATION	QTY REQD
PARTS LIST				
UNLESS OTHERWISE SPECIFIED DIMENSIONS ARE IN MM		CAD GENERATED DRAWING, DO NOT MANUALLY UPDATE		autoVimation GmbH
TOLERANCES ARE:		APPROVALS		DATE
FRACTIONS .XX+ .XX + 1		DRAWN Neuhaus		31.12.2013
.XXX+.XXX		CHECKED		
MATERIAL		RESP ENG		
FINISH --		MFG ENG		
APPLICATION		QUAL ENG		
DO NOT SCALE DRAWING		MATERIAL SPECIFICATION		QTY REQD
		Adapterplatte Stativgewinde		
		Tripod mounting plate 1/4" and 3/8"		
		SIZE A Article NO. 6.041.935		REV.
		SCALE CAD FILE:		SHEET OF