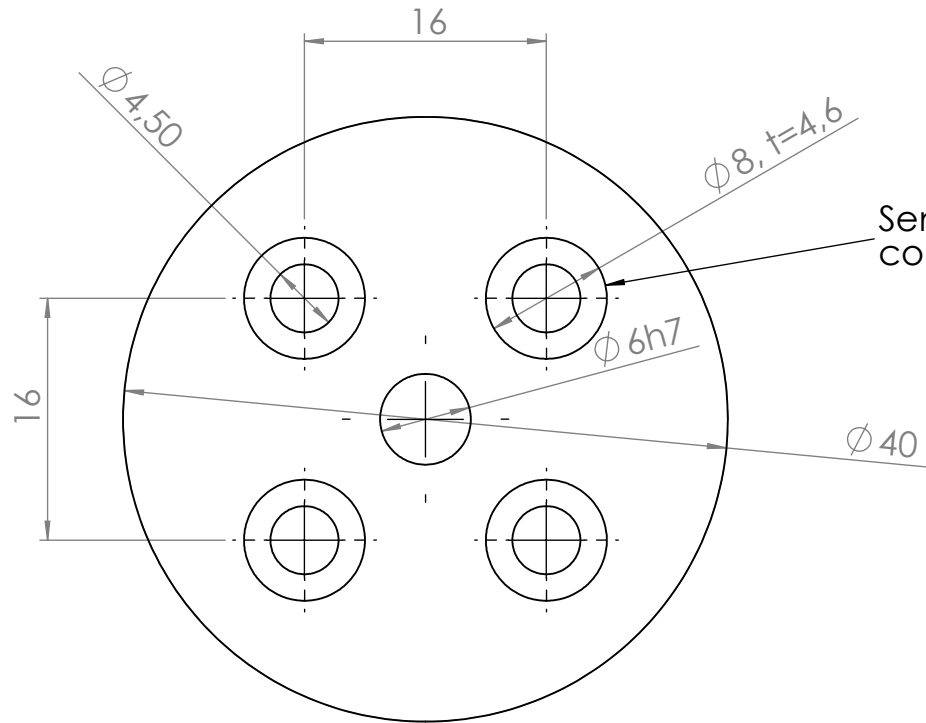
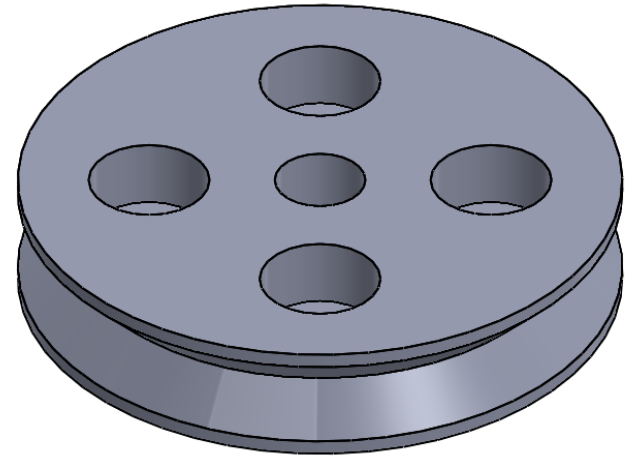


THE INFORMATION CONTAINED IN THIS DRAWING IS THE SOLE PROPERTY OF autoVimation GmbH. ANY REPRODUCTION IN PART OR WHOLE WITHOUT THE WRITTEN PERMISSION OF autoVimation GmbH IS PROHIBITED.



Senkung für DIN 912 M4
counterbore for DIN 912 M4

ITEM NO.	PART OR IDENTIFYING NO.	NOMENCLATURE OR DESCRIPTION	MATERIAL SPECIFICATION	QTY REQD
PARTS LIST				
UNLESS OTHERWISE SPECIFIED DIMENSIONS ARE IN MM		CAD GENERATED DRAWING, DO NOT MANUALLY UPDATE		autoVimation GmbH
TOLERANCES ARE:		APPROVALS DATE		
FRACTIONS .XX+ .XX + 1		DRAWN Neuhaus 31.12.2013		Adapterplatte Drehscheibe 4 Loch <i>Rotational mounting plate 4x4mm bore</i>
ANGLES .XXX+.XXX		CHECKED		
MATERIAL		RESP ENG		
FINISH --		MFG ENG		SIZE A Article NO. 6.042.386 REV.
DO NOT SCALE DRAWING		QUAL ENG		SCALE CAD FILE: SHEET OF

NEXT ASSY	USED ON
APPLICATION	