



Benefits:

- V4A stainless steel AISI 316L
- Consequent hygienic design
- IP69K protection class
- Compact size
- Flexible camera positioning
- High chemical resistance
- Vibration-proof mounting
- Camera mount included
- Good heat dissipation



Technical Details:

Max. Camera Size (w x h)	40 x 40mm 29 x 47mm
Max. Lens Diameter	55mm
Inner Length	148mm (S) 188mm (M) 218mm (L)
Enclosure Dimensions (D x L, without gland and 100mm handle)	63 x 167mm (S) 63 x 207mm (M) 63 x 237mm (L)
Window Aperture	50mm (BK7) 43mm (lid for e.g. acrylic)
Standard Window Lid for Special Windows	BK7, double sided AR Order Number: 80.005.017
IR Mirror	Order Number: 20.000.010
Sapphire	Order Number: 20.000.016
Germanium	Order Number: 20.000.017
Acrylic, uncoated, FDA	Order Number: 20.000.032
Acryl, double sided AR	Order Number: 20.000.029
Window Seal	Fluoroprene XP
Protection Class (with hygiene cable gland)	IP69K

Weight (without camera mount, varies depending on exit)	Ca. 1360g (S) Ca. 1510g (M) Ca. 1710g (L)
Enclosure Material	Electro polished V4A stainless steel AISI 316L
Enclosure Seals	Fluoroprene XP EPDM (internal)
Sealing Area of the Hygiene Cable Gland	M25: 15-18mm M32: 20-25mm (with M25 Adapter only)
Cable Gland Seal	PVDF



The mount guarantees good heat dissipation



Cable Exit and Options



Order Number: 2X.X70.138 - Dolphin S, IP69K
- BK7 window
- M25 hygiene cable gland rear
- M25 blind plug sideways

Options:

- 80.005.015 surcharge for front lid with acrylic window
- 80.005.014 surcharge for M25 hygiene blind plug sideways



Order Number: 2X.X71.138 - Dolphin S, IP69K
- BK7 window
- M25 hygiene cable gland rear
- M25 blind plug sideways

Options:

- 80.005.015 surcharge for front lid with acrylic window
- 80.005.014 surcharge for M25 hygiene blind plug sideways



Order Number: 2X.X80.138 - Dolphin S, IP69K
- BK7 Fenster
- Closed rear wall
- M25 hygiene cable gland sideways

Options:

- 80.005.015 surcharge for front lid with acrylic window



Order Number: 2X.X81.138 - Dolphin S, IP69K
- BK7 window
- Closed rear wall
- M32 hygiene cable gland sideways

Options:

- 80.005.015 surcharge for front lid with acrylic window



Order Number: 2X.X82.138 - Dolphin S, IP69K
- BK7 window
- Closed rear wall
- M25 stainless steel blind plug sideways

Options:

- 80.005.015 surcharge for front lid with acrylic window



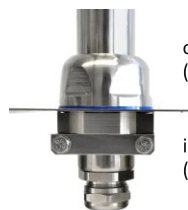
Order Numbers:

ID	Camera Height	Camera Length	Cable Exit	Cable Gland	Length
2	29: 0 30: 1 31: 2 32: 3 33: 4 34: 5 35: 6 36: 7 38: 8 40: 9	< 50mm: 3 < 74mm: 5 < 92mm: 7	rear: 7 side: 8	M25 hygiene IP69K: 0 M32 hygiene IP69K: 1 M25 standard IP66/IP67: 2 M25 extended IP66/IP67: 3	S: 138 M: 188 L: 218

Example: 20.370.138 - Dolphin, cam height =29mm, length <50mm, M25 hygiene gland rear, size S (top image)



The 30mm extension enables easier lens access



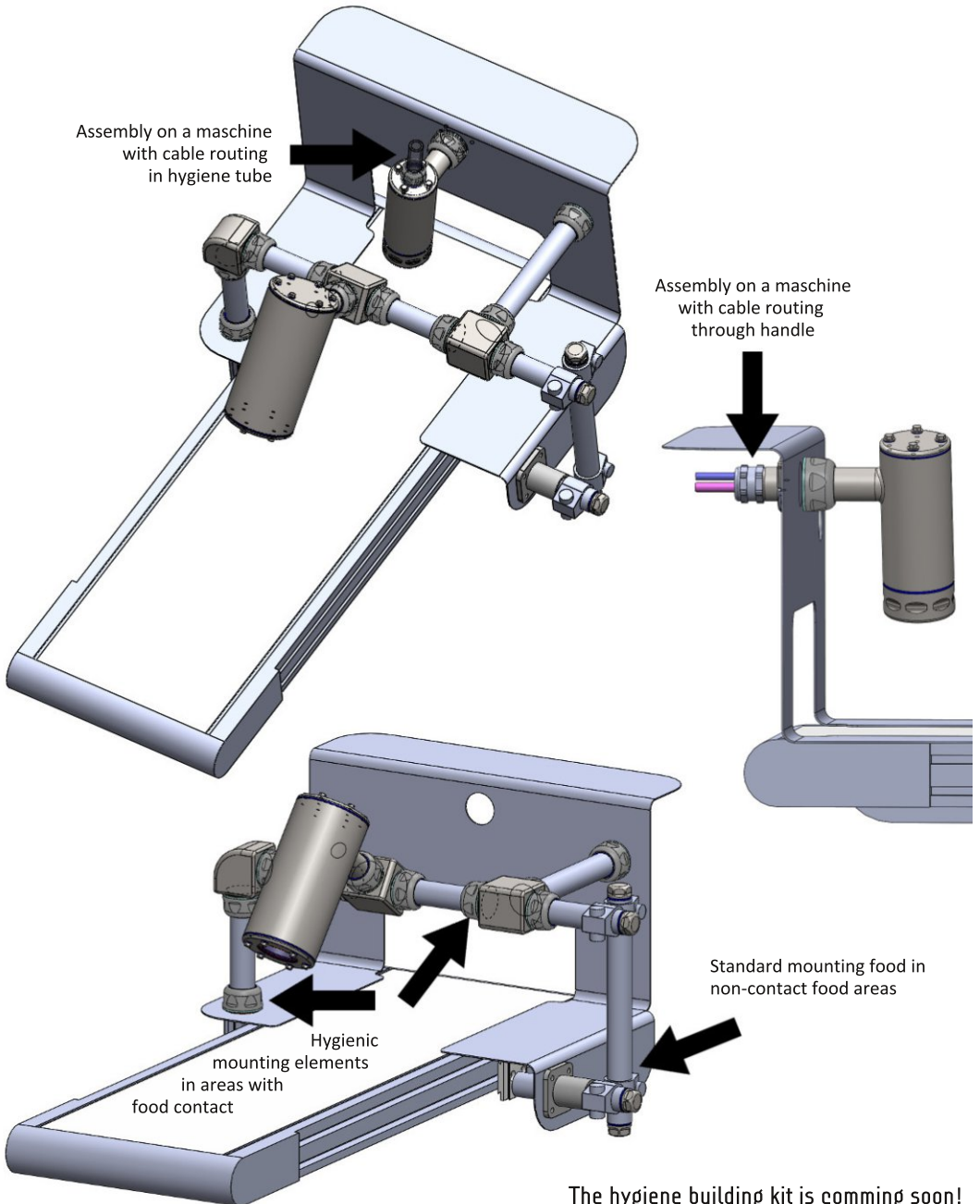
outboard of the machine (hygienically)

inside the machine (not hygienically)

The mount with M40 hygiene cable gland allows the housing handle to be mounted e.g. on a machine

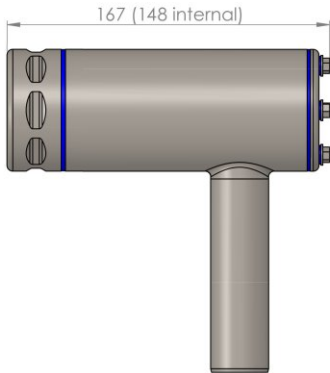
Accessories:

Product	Image	Order No.	Product	Image	Order No.	Product	Image	Order No.
Mount standard		80.006.006	M40 Gland Hygiene		80.005.005	M25 Nut M32 Nut		80.005.006 80.005.007
M32 Gland Hygiene		80.005.004	M25 Gland Hygiene		80.005.003	M40 Nut stainless St.		80.005.008
18x13 PUR Tube		80.007.001	25x19 PUR Tube		80.007.002	M25 Adapter		80.005.001
Mount with M40 Gland		80.006.000	30mm Dol. Extension		80.005.030	M32 Adapter		80.005.002
Position Ring		20.020.003	M25 Hyg. Blind Plug		80.005.010	Dolphin Tool		80.006.100
			90° Tube-connector		80.006.002			





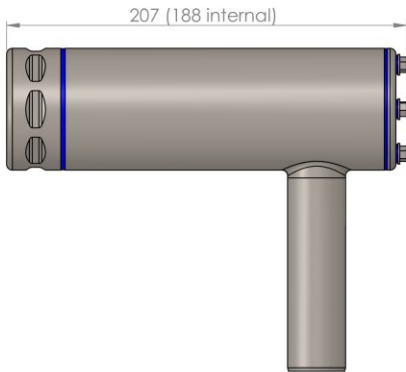
Size S



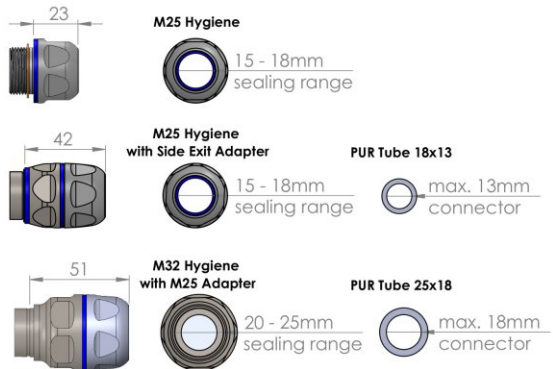
Front Lids



Size M



Cable Glands



Size L

