



Benefits:

- V4A stainless steel AISI 316L
- Consequent hygienic design
- IP69K protection class
- Compact size
- Flexible camera positioning
- High chemical resistance
- Vibration-proof mounting
- Camera mount included
- Good heat dissipation



Technical Details:

Max. Camera Size (w x h)	62 x 62mm (depending on edge radius)
Max. Lens Diameter	85mm
Inner Length	138mm (S) 188mm (M) 258mm (L)
Enclosure Dimensions (D x L, without gland and 100mm handle)	93 x 155mm (S) 93 x 205mm (M) 93 x 275mm (L)
Window Aperture	66mm
Standard Window Germanium Acrylic, uncoated, FDA Acryl, double sided AR	BK7, double sided AR Order Number: 20.000.018 Order Number: 20.000.003 Order Number: 20.000.033
Window Seal	Fluoroprene XP
Protection Class (with hygiene cable gland)	IP69K

Weight (without camera mount, varies depending on exit)	Ca. 1900g (S) Ca. 2300g (M) Ca. 3000g (L)
Enclosure Material	Electro polished V4A stainless steel AISI 316L
Enclosure Seals	Fluoroprene XP EPDM (internal)
Sealing Area of the Hygiene Cable Gland	M25: 15-18mm M32: 20-25mm (with M25 Adapter only)
Cable Gland Seal	PVDF



The mount guarantees good heat dissipation



Cable Exit and Options



- Order Number: 2X.X70.131 - Shark S, IP69K
- BK7 window
 - M32 hygiene cable gland rear
 - M25 blind plug sideways

Options:

- 20.000.003 surcharge acrylic window, uncoated, FDA approval
- 80.005.014 surcharge for M25 hygiene blind plug sideways



- Order Number: 2X.X80.180 - Shark M, IP69K
- BK7 window
 - Closed rear wall
 - M25 hygiene cable gland sideways

Options:

- 20.000.003 surcharge acrylic window, uncoated, FDA approval



- Order Number: 2X.X81.250 - Shark L, IP69K
- BK7 window
 - Closed rear wall
 - M32 hygiene cable gland sideways

Options:

- 20.000.003 surcharge acrylic window, uncoated, FDA approval



- Order Number: 2X.X82.180 - Shark M, IP66+IP67
- BK7 window
 - Closed rear wall
 - M25 stainless steel cable gland sideways

Options:

- 20.000.003 surcharge acrylic window, uncoated, FDA approval



Order Numbers (please specify camera type):

ID	Camera Type	Cable Exit	Cable Gland	Length
2	X.X	rear: 7 sideways: 8	M25 hygiene IP69K: 0 (sideways only) M32 hygiene IP69K: 1 M25 standard IP66/67: 2 (sideways only) M25 extended IP66/67: 3 (sideways only)	S: 130 M: 180 L: 250

Example: 20.380.180 - Shark, M25 hygiene cable gland sideways, size M (image below)



The 30mm extension enables easier lens access



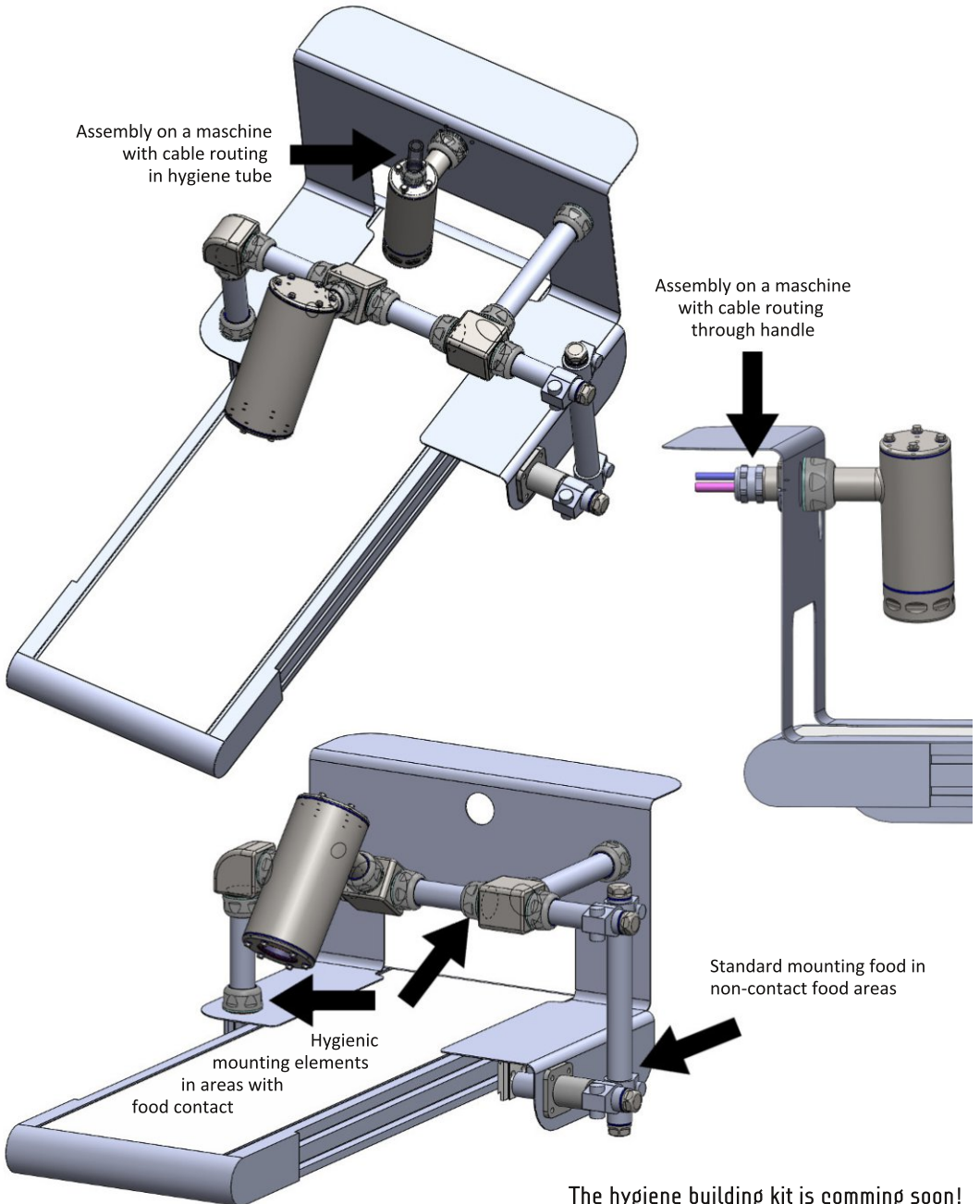
outboard of the machine (hygienically)

inside the machine (not hygienically)

The mount with M40 hygiene cable gland allows the housing handle to be mounted e.g. on a machine

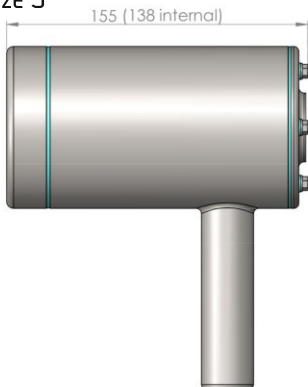
Accessories:

Product	Image	Order No.	Product	Image	Order No..	Product	Image	Order No..
Mount standard		80.006.006	M40 Gland Hygiene		80.005.005	M25 Nut stainless St.		80.005.006
M32 Gland Hygiene		80.005.004	M25 Gland Hygiene		80.005.003	M32 Nut stainless St.		80.005.007
18x13 PUR Tube		80.007.001	25x19 PUR Tube		80.007.002	M40 Nut stainless St.		80.005.008
Rear Mount +M40 Gland		80.006.000	M32 Adapter		80.005.002	M25 Adapter		80.005.001
Position Ring		20.020.002	M25 Hyg. Blind Plug		80.005.010	Shark Tool		80.006.101
30mm Extension		80.020.030	90° Tube-connector		80.006.002			

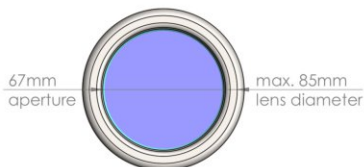




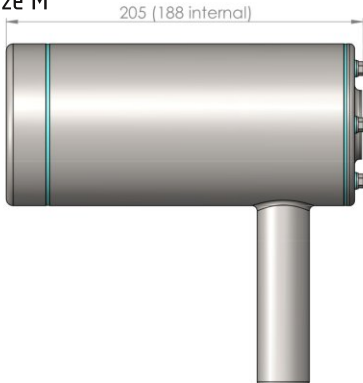
Size S



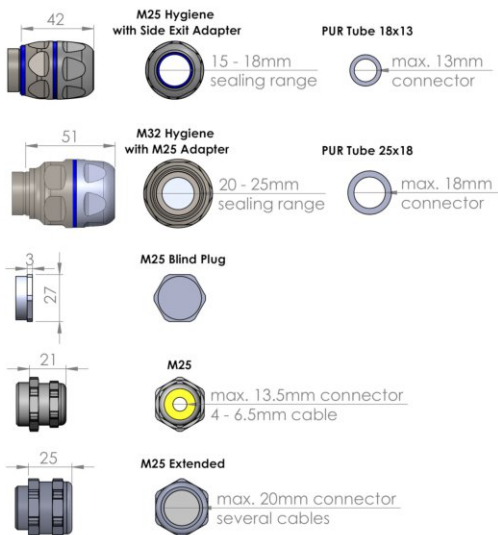
Front Lid



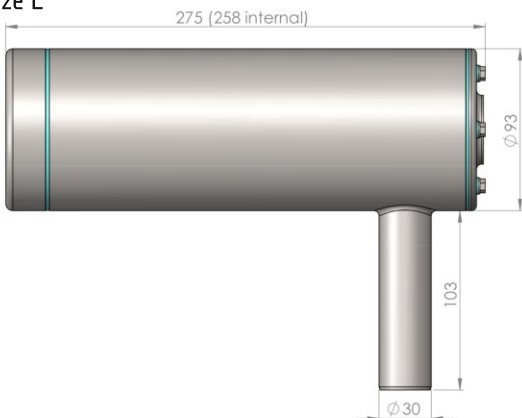
Size M



Options for Side Exit



Size L



Rear Exit

