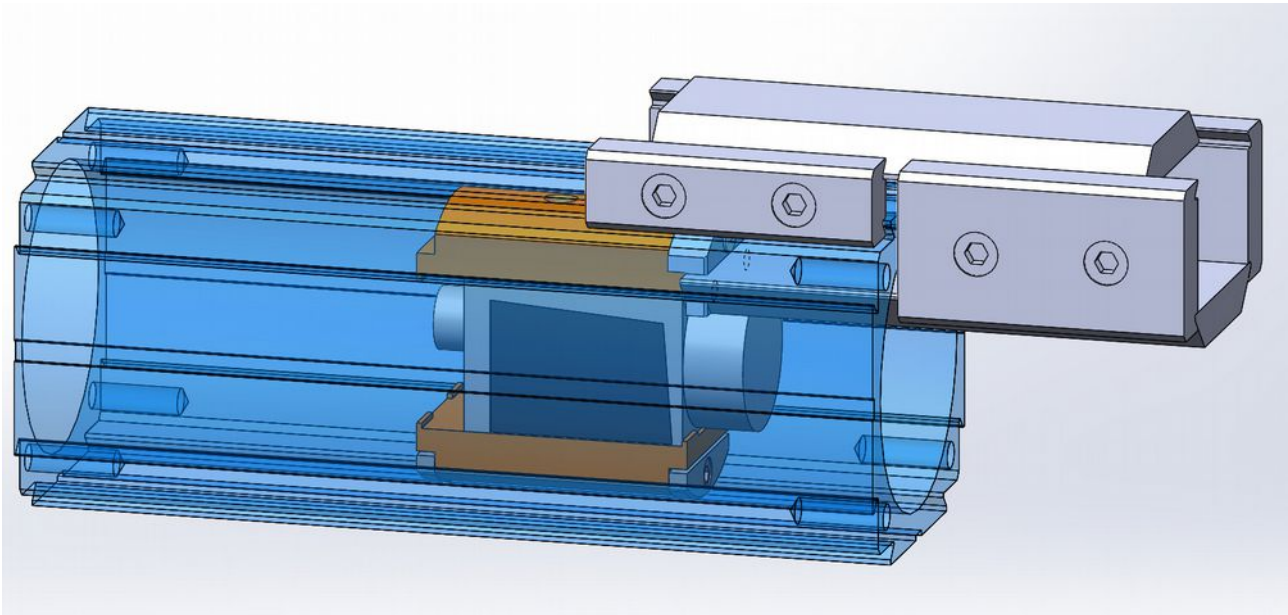


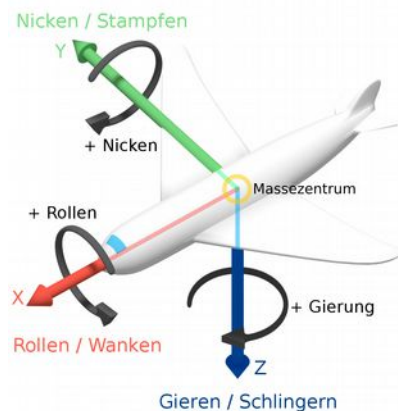
Camera-Alignment-Tool Salamander Operation Manual



All parts shown in gray are included: parallel slim bracket, parallel wide bracket, lower and upper mounting rail, countersunk screw. A screwdriver PH1 with at least 100mm blade length is required.

Application

In the Salamander housing, the camera can be mounted in any position, but also at any angle around the optical axis. This makes it possible to compensate a tilted mounting or the rotation of the sensor in the camera. However, it is often necessary to mount the camera as parallel to the housing as possible. This can be done by controlling the camera image. However, the new Camera-Alignment-Tool allows fast and easy parallel camera mounting without image control with high accuracy (roll and yaw angle $\pm 0.5^\circ$, pitch angle $\pm 0.2^\circ$).



Source: Wikipedia, © Georg Eickert, Februar 2018

Camera mounting

The camera should be mounted as straight as possible on the Heatguide block.



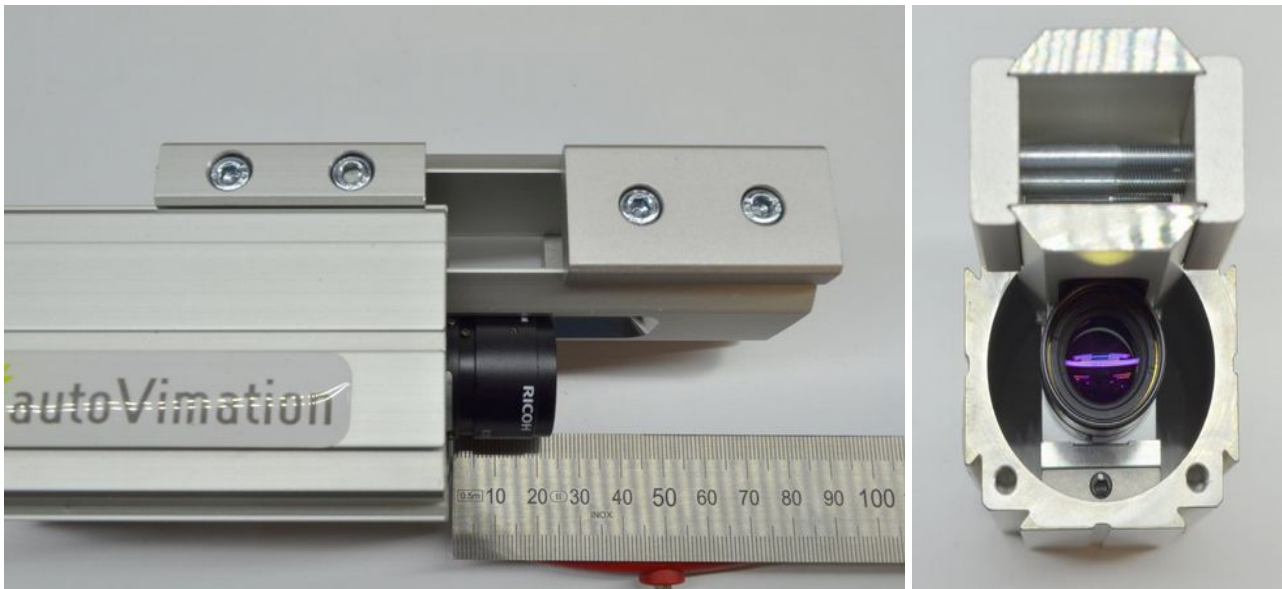
Screw the lower mounting rail to the heatguide block of the camera. This can be done from the front or back. When mounting from the front, lenses up to 30mm in diameter can remain on the camera. Please remove lenses with a larger diameter and refit after mounting the camera. A screwdriver with at least 100mm blade length is needed.



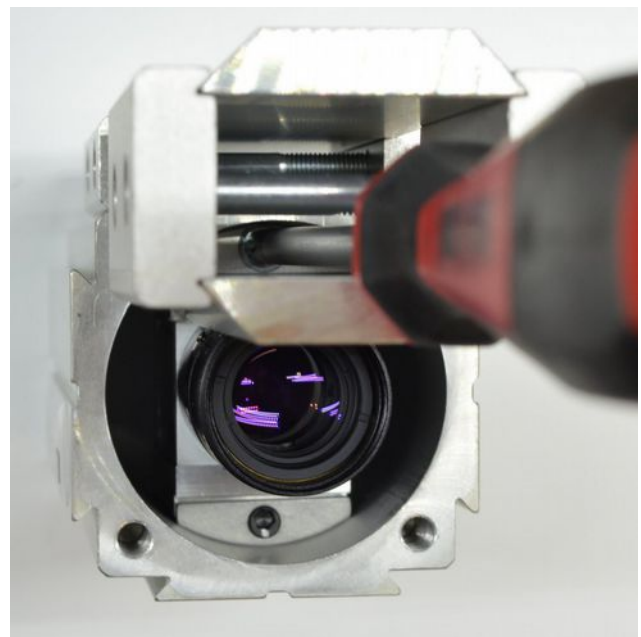
Lenses up to 30mm in diameter fit into the recess of the lower mounting rail



Screw the upper mounting rail to the lower mounting rail with the help of the parallel wide bracket. Place the parallel slim bracket on the salamander profile and tighten the screws so slightly that the top profile of the alignment tool can still be inserted into the clamp.



Now insert the camera with the mounting rails into the housing profile and the parallel slim bracket. Position the camera so that the lens does not protrude more than 23mm out of the profile, otherwise it will touch the front panel during lid assembly.



Now fix the eccentric screws of the Quicklocks from the front and from behind. Now the camera is firmly mounted in the housing and the screw connection between alignment tool and heatguide block can be released again. For further assembly, please observe the general assembly instructions.