

Fine Positioning

Benefits:

- Compact design only 16x40mm cross section
- Play-free guidance up to 3Nm rolling moment
- Self-locking
- Low clamping dimension (from 24mm)
- Interchangeable positioning tables
- Scale display in millimeters
- Suitable for industrial and laboratory use
- 150mm stroke
- Feed 1.5mm per revolution
- After fixation, the slide is non-shifting up to 2000N
- Can be combined to any multi-axis arrangement
- Compatible with autoVimation clamps and profiles
- Adaptable to all profile sizes
- Magnetic tape and digital display optional



With transition clamps, the axes can also be used for Colibri and laser housings





Technical Details:


Dimensions	
Vertical mount	265 x 56 x 47mm
Parallel Mount (L x B x H, incl. crank)	265 x 56 x 55mm
Weight	
Vertical mount	425g
Parallel Mount	402g
Base material	Aluminum, anodized
Stroke	150mm
Feed	1.5mm/revolution
Options	- Transition clamps - Digital display



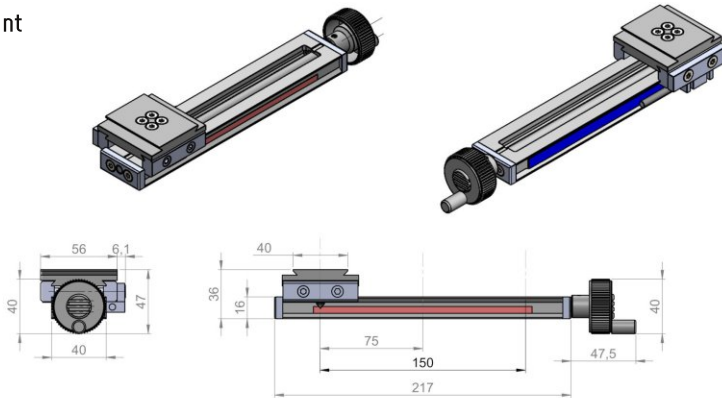
The axes can be combined in any arrangement, play-free guidance up to 3Nm rolling torque is possible

Order Numbers:

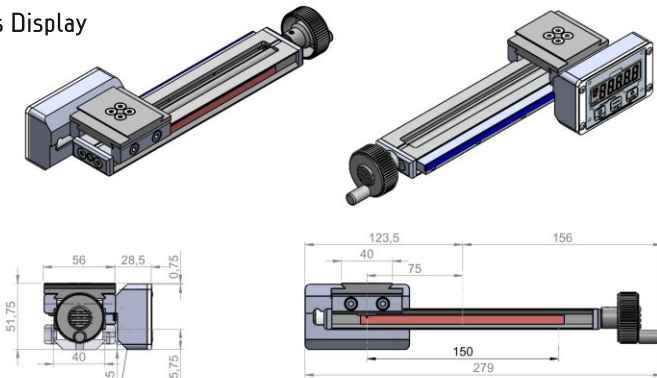
Fine Positioning Axis (Please order brackets separately)			
Vertical Mount	Order Number	Parallel Mount	Order Number
	110.040.090		110.040.000
	110.050.090 Display mounted to the slider		110.050.000 Display mounted to the slider
	110.060.090 Display incl. 1m cable		110.060.000 Display incl. 1m cable
	110.060.080 Mounting frame for display		110.060.080 Mounting frame for display
40mm Dovetail Parallel Slim Bracket	10.040.201	30mm Dovetail (Colibri) Adapter Bracket 30/40mm	10.062.979
Orthogonal Bracket	10.044.984	20mm Dovetail (Laser) Adapter Bracket 20/40mm	10.049.051

Fine Adjustment Table		
<p>The little brother of the positioning axes: - +/- 3mm fine positioning in two axes - Separate locking - 40mm dovetail profile</p>		6.045.836

Vertical Mount



Fest montiertes Display



Display mit 1m Kabel

