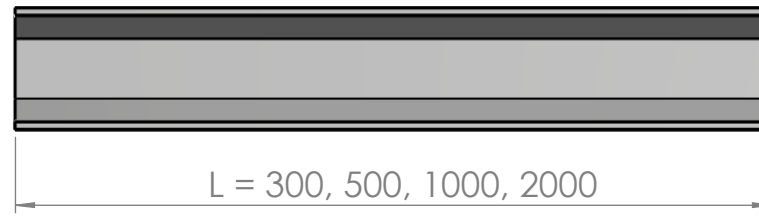
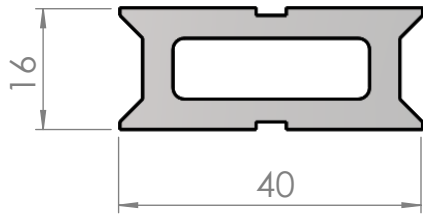
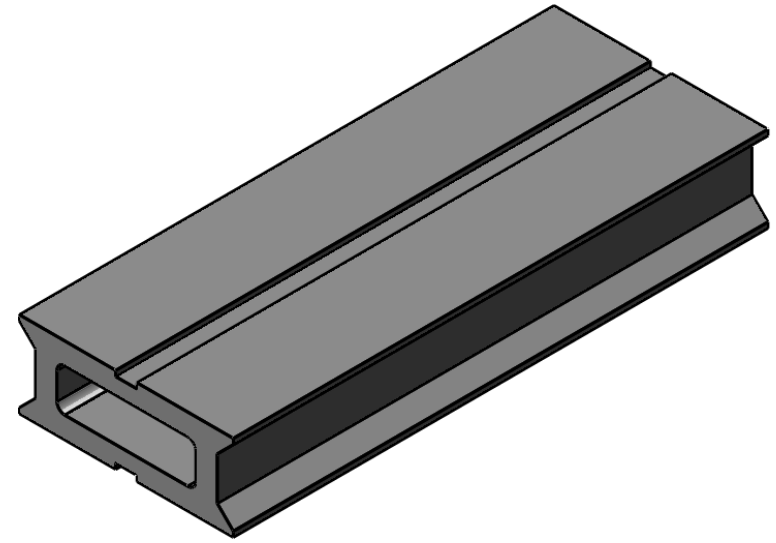


THE INFORMATION CONTAINED IN THIS DRAWING IS THE SOLE PROPERTY OF autoVimation GmbH. ANY REPRODUCTION IN PART OR WHOLE WITHOUT THE WRITTEN PERMISSION OF autoVimation GmbH IS PROHIBITED.



ITEM NO.	PART OR IDENTIFYING NO.	NOMENCLATURE OR DESCRIPTION	MATERIAL SPECIFICATION	QTY REQD
PARTS LIST				
UNLESS OTHERWISE SPECIFIED DIMENSIONS ARE IN MM TOLERANCES ARE: FRACTIONS DECIMALS ANGLES + .XX+ .XX + 1 .XXX+.XXX		CAD GENERATED DRAWING, DO NOT MANUALLY UPDATE	autoVimation GmbH	
		APPROVALS	DATE	
		DRAWN Neuhaus	31.12.2013	
		CHECKED		
		RESP ENG		
		MFG ENG		
		QUAL ENG		
MATERIAL		16x40 Schwalbenschwanzprofil doppelt 16x40 Dovetail Profile double sided		
FINISH		--		
NEXT ASSY		USED ON		
APPLICATION		DO NOT SCALE DRAWING		
		SIZE A	Article NO. 1.020.XXX	REV.
		SCALE	CAD FILE:	SHEET OF

8 7 6 5 4 3 2 1

D

D

C

C

B

B

A

A

8 7 6 5 4 3 2 1