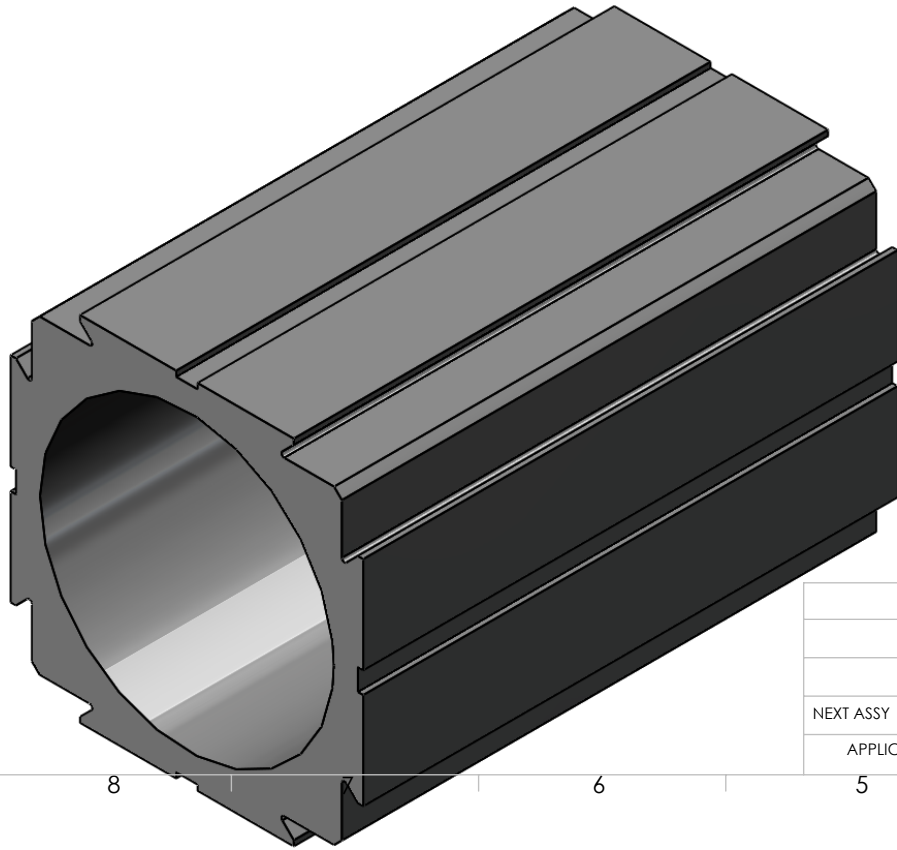
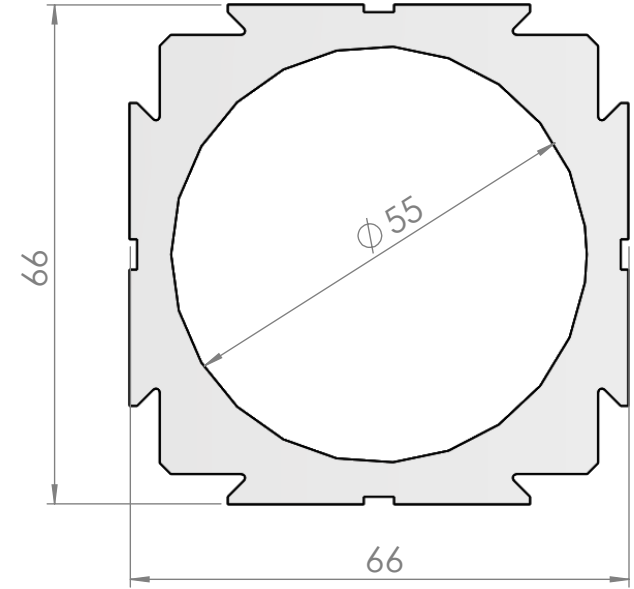
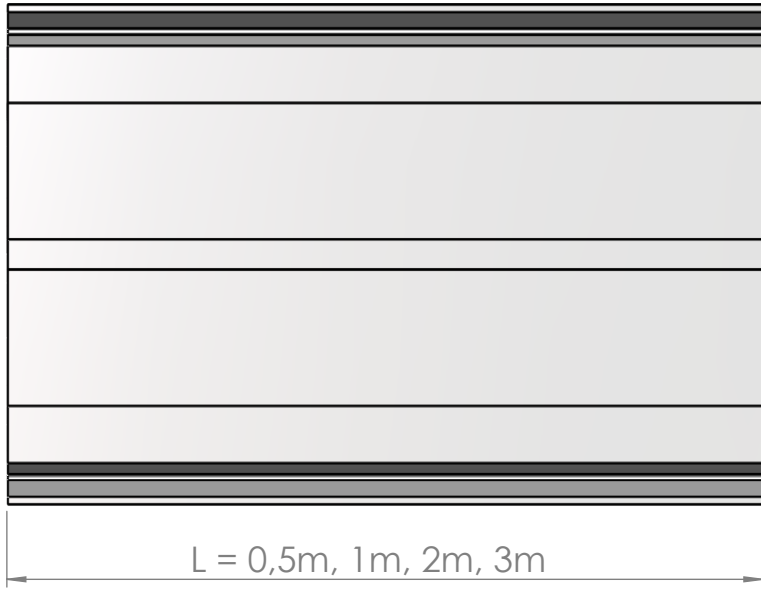


THE INFORMATION CONTAINED IN THIS DRAWING IS THE SOLE PROPERTY OF autoVimation GmbH. ANY REPRODUCTION IN PART OR WHOLE WITHOUT THE WRITTEN PERMISSION OF autoVimation GmbH IS PROHIBITED.



ITEM NO.	PART OR IDENTIFYING NO.	NOMENCLATURE OR DESCRIPTION	MATERIAL SPECIFICATION	QTY REQD
PARTS LIST				
UNLESS OTHERWISE SPECIFIED DIMENSIONS ARE IN MM		CAD GENERATED DRAWING, DO NOT MANUALLY UPDATE		autoVimation GmbH
TOLERANCES ARE:		APPROVALS DATE		
FRACTIONS .XX+ .XX + 1		DRAWN Neuhaus 31.12.2013		66x66 Profil stabil 66x66 stabile profile
ANGLES .XXX+.XXX		CHECKED		
MATERIAL		RESP ENG		SIZE A Article NO. 1.040.XXX REV.
FINISH --		MFG ENG		
APPLICATION		QUAL ENG		
DO NOT SCALE DRAWING		SCALE CAD FILE:		SHEET OF

NEXT ASSY	USED ON