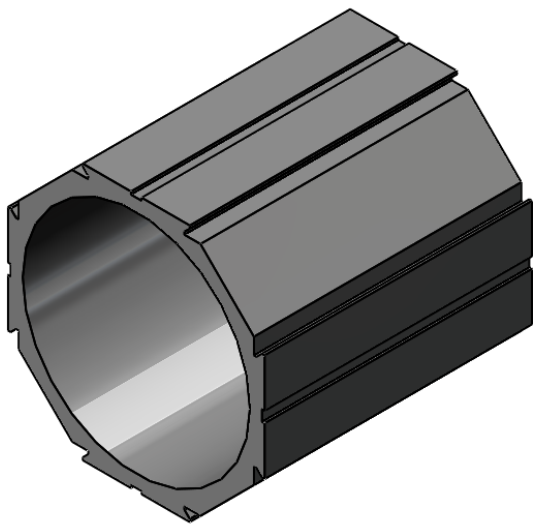
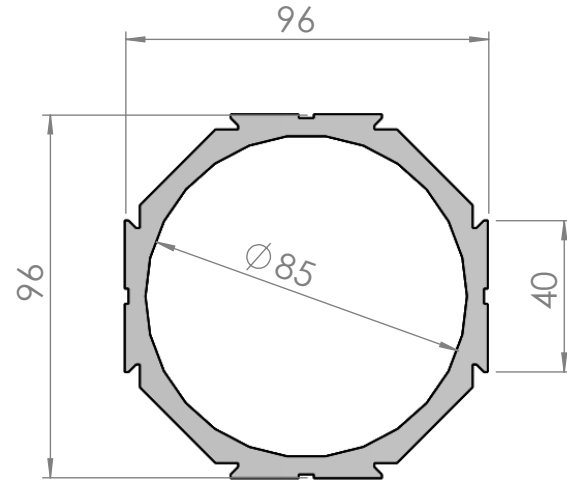
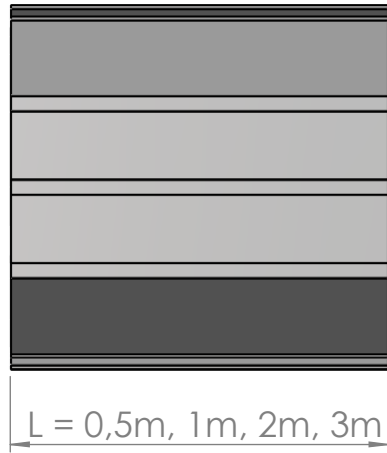


THE INFORMATION CONTAINED IN THIS DRAWING IS THE SOLE PROPERTY OF autoVimation GmbH. ANY REPRODUCTION IN PART OR WHOLE WITHOUT THE WRITTEN PERMISSION OF autoVimation GmbH IS PROHIBITED.



ITEM NO.	PART OR IDENTIFYING NO.	NOMENCLATURE OR DESCRIPTION	MATERIAL SPECIFICATION	QTY REQD
PARTS LIST				
UNLESS OTHERWISE SPECIFIED DIMENSIONS ARE IN MM		CAD GENERATED DRAWING, DO NOT MANUALLY UPDATE		autoVimation GmbH
TOLERANCES ARE:		APPROVALS		DATE
FRACTIONS .XX+ .XX + 1		DRAWN Neuhaus		31.12.2013
ANGLES .XXX+.XXX		CHECKED		
MATERIAL		RESP ENG		96x96 Schwalbenschwanzprofil stabil
FINISH --		MFG ENG		96x96 stabile Profile
DO NOT SCALE DRAWING		QUAL ENG		SIZE A Article NO. 1.060.XXX REV.
APPLICATION		SCALE		CAD FILE: SHEET OF

NEXT ASSY	USED ON