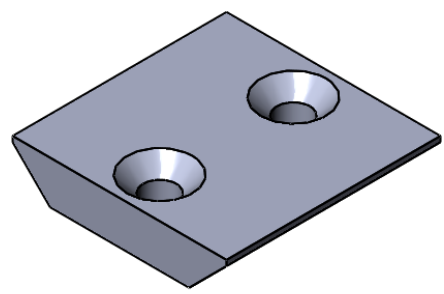
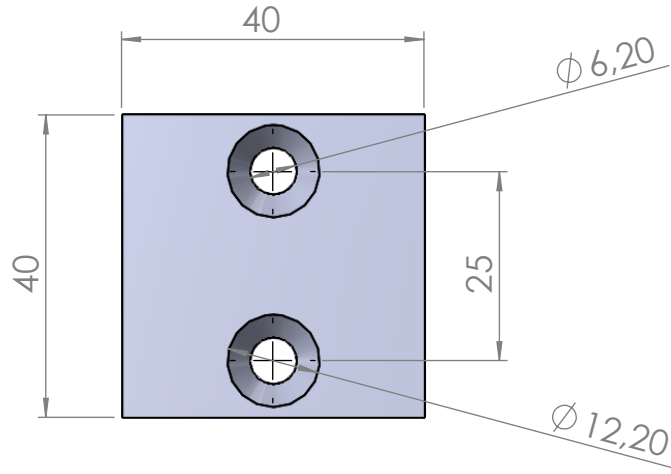


THE INFORMATION CONTAINED IN THIS DRAWING IS THE SOLE PROPERTY OF autoVimation GmbH. ANY REPRODUCTION IN PART OR WHOLE WITHOUT THE WRITTEN PERMISSION OF autoVimation GmbH IS PROHIBITED.



ITEM NO.	PART OR IDENTIFYING NO.	NOMENCLATURE OR DESCRIPTION	MATERIAL SPECIFICATION	QTY REQD
PARTS LIST				
UNLESS OTHERWISE SPECIFIED DIMENSIONS ARE IN MM		CAD GENERATED DRAWING, DO NOT MANUALLY UPDATE		autoVimation GmbH
TOLERANCES ARE:		APPROVALS		
FRACTIONS DECIMALS ANGLES		DATE		
+ .XX+ .XX + 1		DRAWN Neuhaus 31.12.2013		
.XXX+.XXX		CHECKED		
MATERIAL		RESP ENG		
FINISH --		MFG ENG		
DO NOT SCALE DRAWING		QUAL ENG		
NEXT ASSY	USED ON	SIZE A Article NO. 6.041.142		REV.
APPLICATION		SCALE CAD FILE:		SHEET OF

Adapterplatte 40mm 2 Loch für M6 Senkschraube
Adapter plate 40mm 2 bore for M6 csk screws