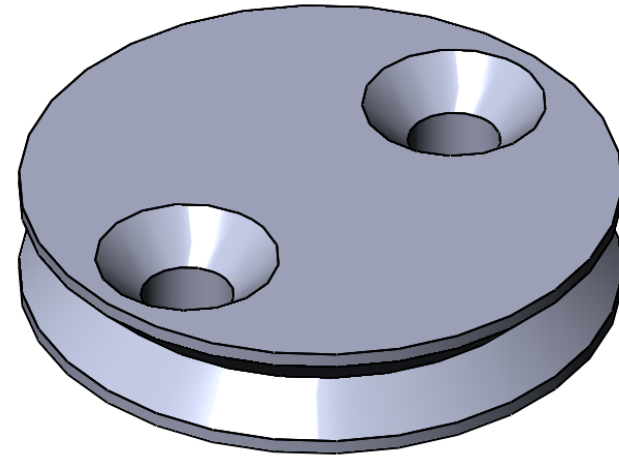
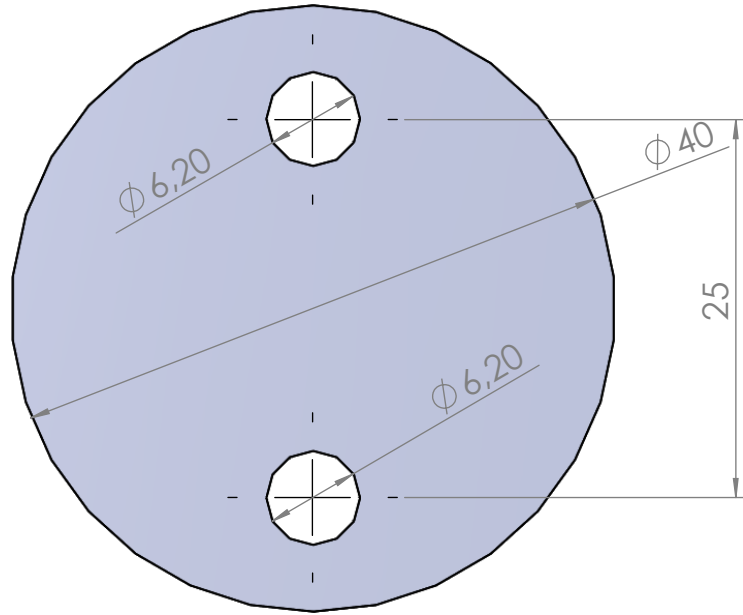
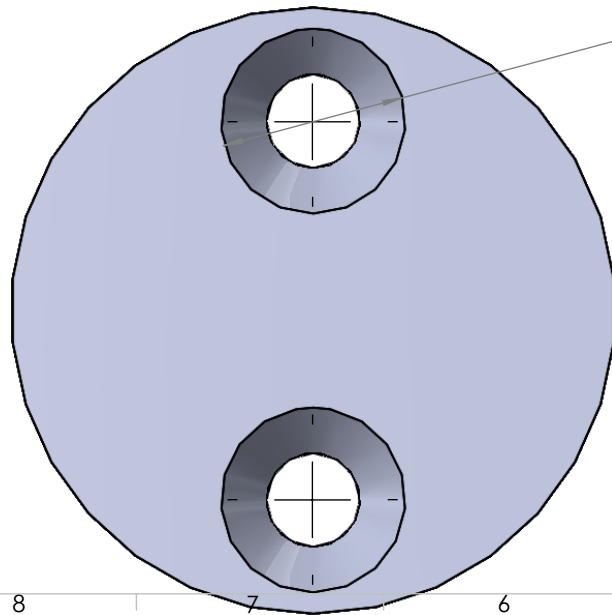


THE INFORMATION CONTAINED IN THIS DRAWING IS THE SOLE PROPERTY OF autoVimation GmbH. ANY REPRODUCTION IN PART OR WHOLE WITHOUT THE WRITTEN PERMISSION OF autoVimation GmbH IS PROHIBITED.



$\phi 12,20$ , csk for DIN7991 M6



ITEM NO.	PART OR IDENTIFYING NO.	NOMENCLATURE OR DESCRIPTION	MATERIAL SPECIFICATION	QTY REQD
PARTS LIST				
UNLESS OTHERWISE SPECIFIED DIMENSIONS ARE IN MM TOLERANCES ARE:		CAD GENERATED DRAWING, DO NOT MANUALLY UPDATE		autoVimation GmbH
FRACTIONS    DECIMALS    ANGLES		APPROVALS	DATE	
+                    .XX+ .XX    + 1		DRAWN	Neuhaus	31.12.2013
.XXX+.XXX		CHECKED		
MATERIAL		RESP ENG		
FINISH                --		MFG ENG		
DO NOT SCALE DRAWING		QUAL ENG		
NEXT ASSY	USED ON	SIZE A Article NO. <b>6.042.388</b>		REV.
APPLICATION		SCALE	CAD FILE:	SHEET OF

Adapterplatte Drehscheibe 2 Loch  
Rotational mounting plate 2x M6

SCALE    CAD FILE:    SHEET OF